

DataLoop™ LI24 Series

Intrinsically Safe Level Indicator



Application

UL-C/UL, ATEX & IECEx intrinsically safe loop powered level indicator displays engineering units connected in series with one 4-20 mA continuous level transmitter, and is available with two optional relays and an isolated 4-20 mA repeater. **Select this panel mount indicator for use with intrinsically safe two-wire level transmitters.** For field mount installation, add a single or two indicator NEMA box.



Features

- LCD main display with secondary unit and bar graph display
- Easy configuration via the push button display module
- Available with two solid-state, latching relays and an isolated 4-20 mA repeater
- DIN enclosure with NEMA 4X faceplate and shallow case
- Linear, square root and programmable exponent functions
- Non-volatile memory with security password protection
- Windowed NEMA box accessory for field installations

Key Benefits

- Bright backlit display for easy night viewing
- Capable of displaying units in gallons, liters, inches, feet, meters or percent of liquid
- Optional relays provide convenient local alarms
- Receives power and signal via the transmitters current loop with minimal voltage drop

Compatible Products



US01-03

ECHOTOUCH®

Ultrasonic Level Transmitter



US06-12

ECHOTOUCH®

Ultrasonic Level Transmitter



LR11

ECHOPRO®

Pulse Radar Level Transmitter



LR36

ECHOPRO®

Pulse Radar Level Transmitter

DataLoop™ LI24 Series

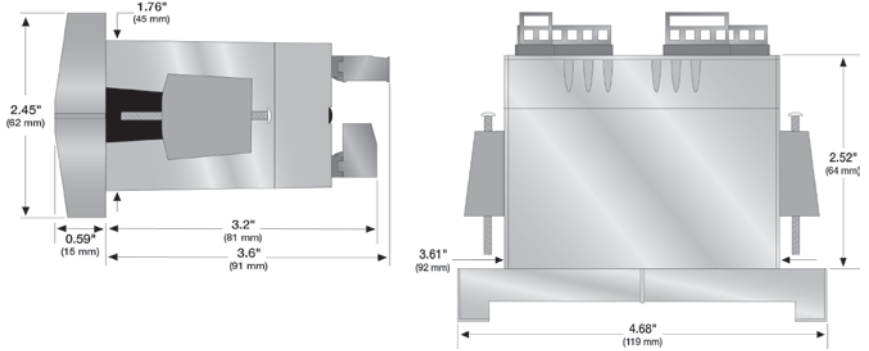
Intrinsically Safe Level Indicator



Specifications

Display type:	LCD, 5-digit top line 8-digit bottom line
Display units:	Engineering
Display output:	-9999 to 99999 (top) -9999999 to 99999999 (bottom)
Display height:	0.7" (17.8mm) top 0.4" (10.2) bottom
Decimal point:	Floating
Backlight:	LED
Configuration:	Push button
Memory:	Non-volatile
Sensor input:	(1) 4-20 mA transmitter
Loop power:	12-30 VDC
Voltage drop:	1.5 VDC w/o backlight 4.5 VDC w/ backlight
Contact type:	-10_1: N/A -12_1: (2) SPST relays (latching)
Contact rating:	-10_1: N/A -12_1: 1A @ 250 VAC/VDC res. load
Contact output:	-10_1: N/A -12_1: Normally open
Contact delay:	-10_1: N/A -12_1: 0-9,999 seconds
Repeater output:	-1_01: N/A -1_11: 4-20 mA, 7 to 30 VDC external power required
Process temp.:	F: -40° to 167° C: -40° to 75°
Ambient temp.:	F: -40° to 185° C: -40° to 85°
Enclosure type:	1/8 DIN, panel mount
Enclosure rating:	NEMA 4X (IP65) faceplate
Enclosure mat'l:	PPE & PS blend
Faceplate mat'l:	Polycarbonate
Classification:	Intrinsically safe
Compliance:	CE
Approvals:	UL-C/UL Class I, Div 1, Groups A, B, C & D T4; Class II, Div 2, Groups A, B, C & D T4; Ex ia IIC T4 (Canada); Class I Zone 0, Zone 1, AEx ia IIC T4 (US); Class I Zone 2, Group IIC T4 (US)

Dimensions



Accessories

Protect your field mounted display from the elements with the below recommended single or two indicator box. For reliable power, add a LC95 power supply.



P/N	DESCRIPTION
LM92-1002	Single indicator windowed, 1/8 DIN, PC



LM92-2002	Two indicator windowed, 1/8 DIN, PC
------------------	-------------------------------------



LC95-2001	100-240 VAC, 24 VDC @ 0.45A, 35mm rail
------------------	--

Ordering

LI24 - 1 1

CONFIGURATION (1)

- 0 Display only
- 2 Display with 2 relays

REPEATER

- 0 No repeater
- 1 4-20 mA repeater

NOTES

- 1) For field mount installation in a NEMA 4X, polycarbonate windowed enclosure, order the single or two indicator box.